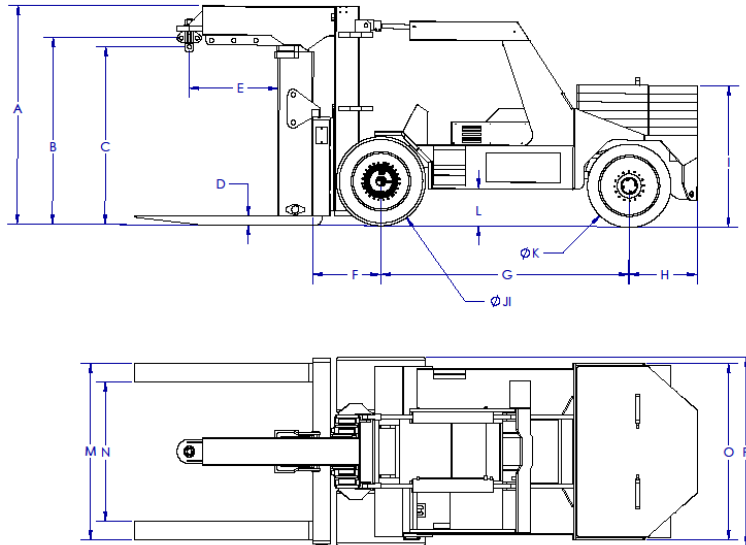


ORION^{★★}

HIGH CAPACITY FORK LIFT TRUCKS

Orion K100 Specifications: 100,000 lbs @ 24" LC



- A. Lowered height 118" 2997.2mm
- B. Spinner Height 100.5" 2553mm Lowered , 315.5" 8014mm Raised
- C. Lower rotator hole height N/A
- D. Standard fork thickness 5" 127mm
- E. Hydraulic stinger reach 48">96" 1219mm>2438mm / Manual stinger reach 96">144" 2438mm>3657mm
- F. Center of wheel to fork face 36.5" 927mm
- G. Wheelbase 134" 3403mm
- H. Center of wheel to back of frame 36.75" 933.5mm
- I. Height to top of counterweights 68.25" 1733mm
- J. Drive Tire 48" x 25" 1219mm x 635mm
- K. Steer Tire 45" x 12" 1143mm x 305mm
- L. Side panel ground clearance 15" 381mm
- M. Fork spread 90" 2286mm
- N. Inner fork spread 70" 1778mm
- O. Frame width 95" 2413mm
- P. Overall width 96" 2438mm

Dimensions may change without notice

45 Shepherd Rd. Oakville, Ontario, Canada L6K 2G6 T: (905) 844 4164
 F: (905) 844 2135
www.orionlifts.com

